



## AVFLED150



### Features

Modern architectural slim die-cast LED floodlight.

150W comparable performance of 200W HQI-T.

Die-Cast construction and heat sink design providing optimised thermal characteristics for optimum LED life and performance.

Graphite textured paint finish.

Pre-wired with 1 metre of rubber insulated cable for ease of installation.

LED lifespan L80 60,000 hours.

Non-dimmable.

## General Information

Lamp Type	LED
Colour / Finish	Graphite
IP Rating	IP65
IK Rating	IK08
Class Protection	1
Internal / External	External
Surface / Recessed / Suspended	Surface
Warranty (Years)	5
CE Mark	Yes
Width (mm)	390
Height (mm)	460
Depth (mm)	69

## Technical Information

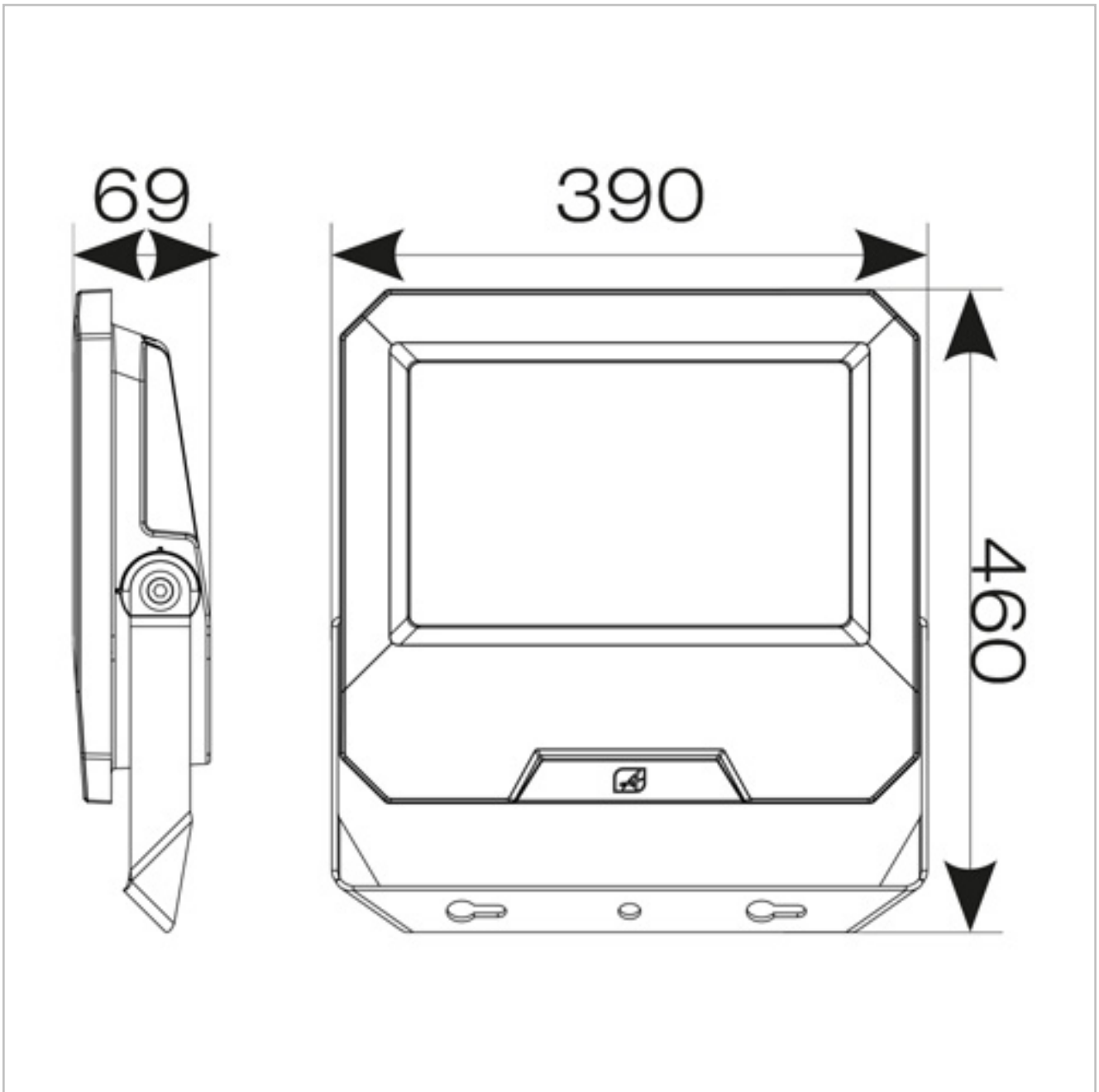
Wattage	150W
Lumens Delivered	16900lm
Lm/W	112lm
CRI	Ra 80
CCT	4000k
Input	220-240V
Hertz	50/60Hz
Operating Temp	-20°C to 25°C

## Technical Data - ETIM - Downlight/spot/floodlight (EC001744)

Suitable for surface mounting	Yes
Suitable for built-in mounting	No
Suitable for wall mounting	Yes
Suitable for suspended mounting	No
Suitable for ceiling mounting	No
Suitable for traverse mounting	No
Suitable for light-track mounting	No
Adjustability	Swivelling
With movement sensor	No
With light sensor	No
With light source	Yes
Colour housing	Other
Nominal voltage	220-240 V
No dim function	Yes
Degree of protection (IP)	IP65
Impact strength	IK08
Protection class	I
Max. system power	150 W
Colour of light	White
Colour temperature	4000-4000 K
Colour rendering index CRI	80-89
Rated luminous flux acc. IEC 62722-2-1	16900 lm
Lamp efficacy	112 lm/W
Width	69 mm
Height/depth	460 mm

Length

390 mm



Datasheet generated from <https://onetimepim.com> last updated Friday, October 15, 2021 11:25:02 AM